



CHENNAILABBA

An ISO 9001:2015 Certified Company

POLYURETHANE HYBRID ABSORBERS

➤➤ Premium Quality
Excellent Performance
Multiple Colour Options

FOR EMC CHAMBERS

Excellent impedance matched with ferrite tiles for Broadband frequency range of operation from 30 MHz to 40 GHz and guaranteed repeatable results.

Chennailabb premium quality high performance Polyurethane Hybrid Absorbers are made of carbon impregnated polyurethane foam. C-LABB-PU-PY-HY series hybrid absorbers provides excellent performance in normal incidence and off angle incidence in EMI/EMC test chambers.

FEATURES

- Broadband Frequency Range of Operation from 30 MHz to 40 GHz
- Ideal for full compliance immunity testing to IEC/EN 61000-4-3 and precompliance emission testing, Mil-STD-461 D/E/F and RTCA-DO-160 testing
- Power Handling Capacity of 1.5 kW/m², 540 V/m CW Radiated Field Strength
- Fire Retardant as per NRL-8093 tests 1, 2, 3, UL94 HBF, DIN 4102 Class B2
- Continuous Working Temperature of up to 90°
- Made of Environment friendly raw material, it does not emit toxic gas
- Almost zero carbon dust, clean test site and very Low Maintenance required

TYPICAL REFLECTIVITY AT NORMAL INCIDENCE OVER FREQUENCY RANGE IN - dB

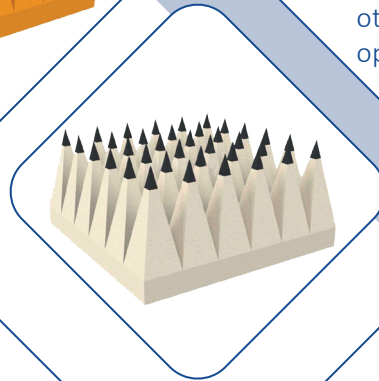
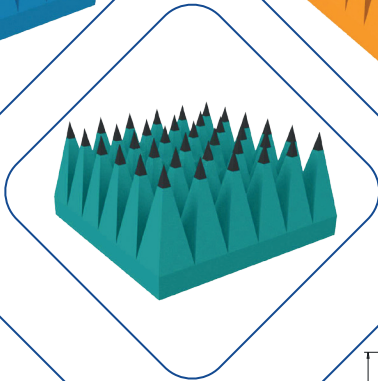
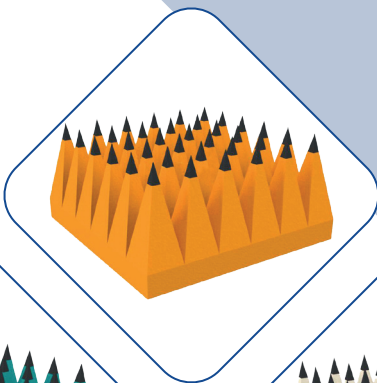
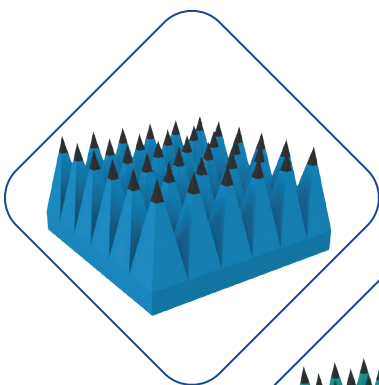
MODEL NUMBER	30 MHz	80 MHz	300 MHz	500 MHz	1 GHz	3 GHz	6 GHz	10 GHz	18 GHz	40 GHz
C-LABB-PU-PY-HY-200	11	21	15	17	11	10	11	13	15	15
C-LABB-PU-PY-HY-300	11	21	16	17	11	13	15	20	20	20
C-LABB-PU-PY-HY-500	12	21	17	19	17	17	20	25	25	25
C-LABB-PU-PY-HY-700	14	23	20	20	18	20	25	25	30	30
C-LABB-PU-PY-HY-1000	15	25	25	25	23	22	28	28	35	35

NOTE : Values shown are based on testing of laboratory test product and represent data that falls within normal range purposes. Construction standards and absorber mounting procedure defines accurate results. The given information is based on data and knowledge considered to be true and accurate and is offered for the user's consideration, investigation and verification but we don't warrant the results to be obtained.

PHYSICAL PROPERTIES (in mm)

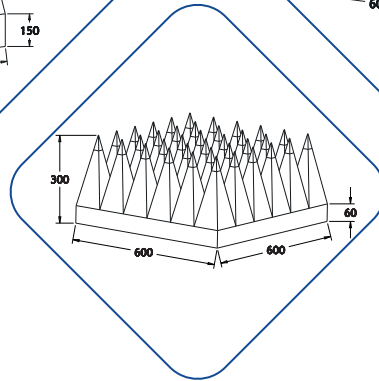
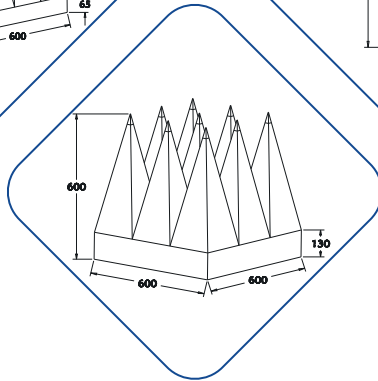
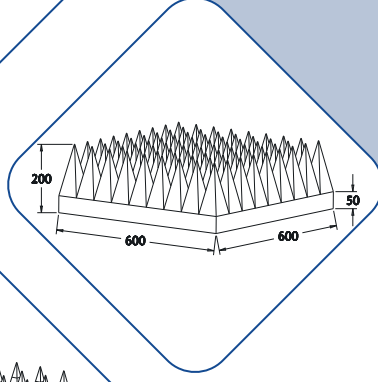
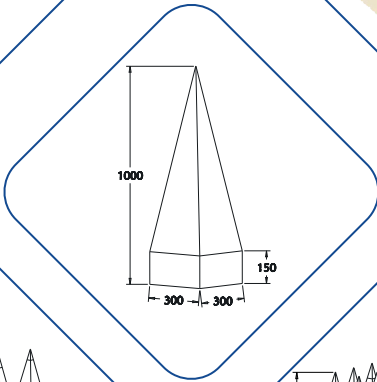
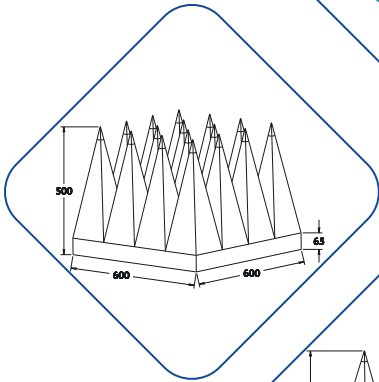
MODEL NUMBER	Overall Width	Overall Height	Base Thickness	Tip Base Width	No. of Tips	Overall Weight in Kg
C-LABB-PU-PY-HY-200	600 x 600	200	50	65	81	1.44
C-LABB-PU-PY-HY-300	600 x 600	300	60	100	36	2.52
C-LABB-PU-PY-HY-500	600 x 600	500	65	145	16	3.96
C-LABB-PU-PY-HY-700	600 x 600	700	130	195	9	5.76
C-LABB-PU-PY-HY-1000	600 x 600	1000	150	300	1	2.52

COLOUR OPTIONS



Standard Colors are Blue and Unpainted Black. MOQ 300 pcs for other color options.

DIMENSIONS



C-LABB-PU-PY-HY SERIES ABSORBERS

CHENNAILABB

No. 19 (Old No.7), Porur Street, East Tambaram,
Chennai- 600 059, India.

+91 97890 53222 / +91 (044) 2239 5939

www.chennaiabb.com

sales@chennaiabb.com / support@chennaiabb.com

chennaiabb@yahoo.com

© Copyright Chennaiabb. All Rights Reserved.